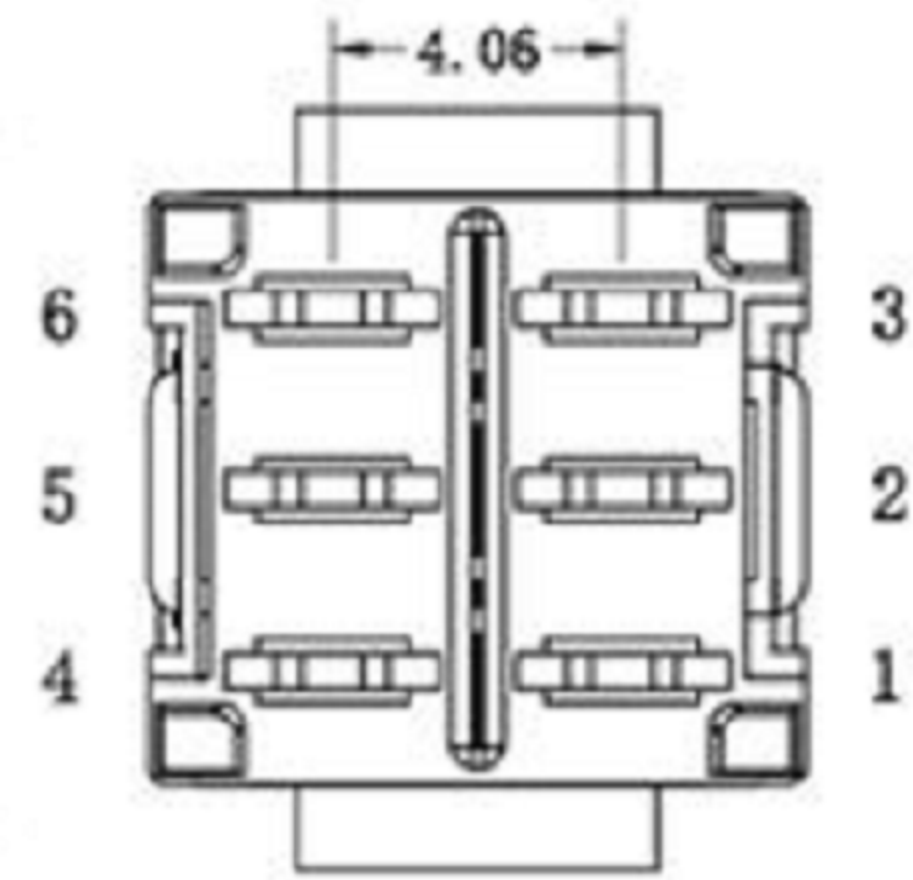


标注: ①-③尺寸的重点检验尺寸



手柄位置及导通端子示意图

	POS. 1	POS. 2	POS. 3
Model NO.			
103	ON	OFF	ON
SCHEMATIC		OPEN	

Technical characteristics

SPECIFICATION: 3 A max. @ 125 VAC.
 1.5 A max. @ 250 VAC.
MECHANICAL LIFE: 40,000 make-and-break cycles.
CONTACT RESISTANCE: 20mΩ max. initial @2-4VDC
 100mA for both silver.
INSULATION RESISTANCE: 1000 MΩ min.
DIELECTRIC STRENGTH: 1000 VAC min.
OPERATING TEMPERATURE: -25°C to +85°C.

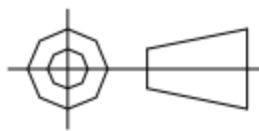
Materials

CASE: PPA (UL 94V-0)
CAP: PA66
HOUSING: Stainless Steel.
ACTUATOR: Alloy, nickel plated.
BUSHING: Alloy, nickel plated.
CONTACT/TERMINALS: Copper alloy silver plated.
 RoHS



TOLERANCE UNLESS OTHERWISE STATED:
 Up to 5 ±0.2
 Above 5 ~ 15 ±0.3
 Above 15 ~ 30 ±0.4
 Above 30 ~ 50 ±0.5
 Angle ±0.3°

3RD. ANGEL'S



UNITS MM

DRAWN BY: DATE
 Ming Ming Zou 07/23/13
 CHECKED BY: DATE
 Ning Ning Su 07/23/13
 APPROVED BY: DATE
 Jia Xiang 07/23/13

MAT'L
 FINISH
 SCALE 1:1
 SHEET NO. 1 of 1
 TITLE Medium sized switch
 MODLE Medium sized switch
 DWG NO. GD-SR-0-103-D03-0000-RS
 PART NO.

SIZE A4
 VER R2

ITEM NO.	DESCRIPTION	DRAWN	DATE
2	公差及料號更新	Jack	072313
1	圖面更新	Frank Wu	021012